

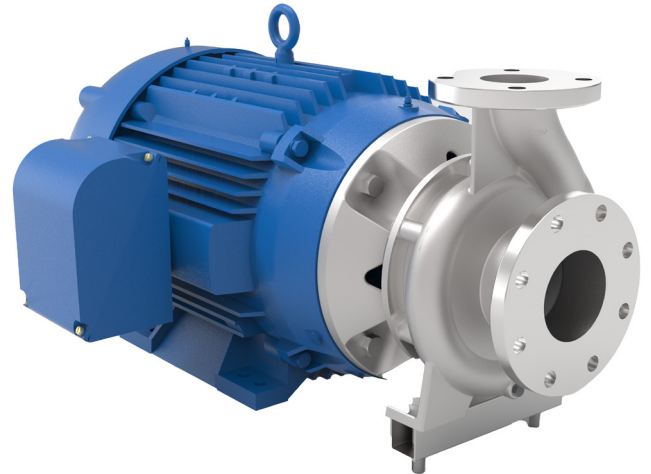


CHEMFLO® 10

4" X 3" END SUCTION CENTRIFUGAL PUMP

Made with high quality investment cast 316 stainless steel components, the ChemFlo® series of pumps are designed to be applied in a wide range of pumping applications where stainless steel is required.

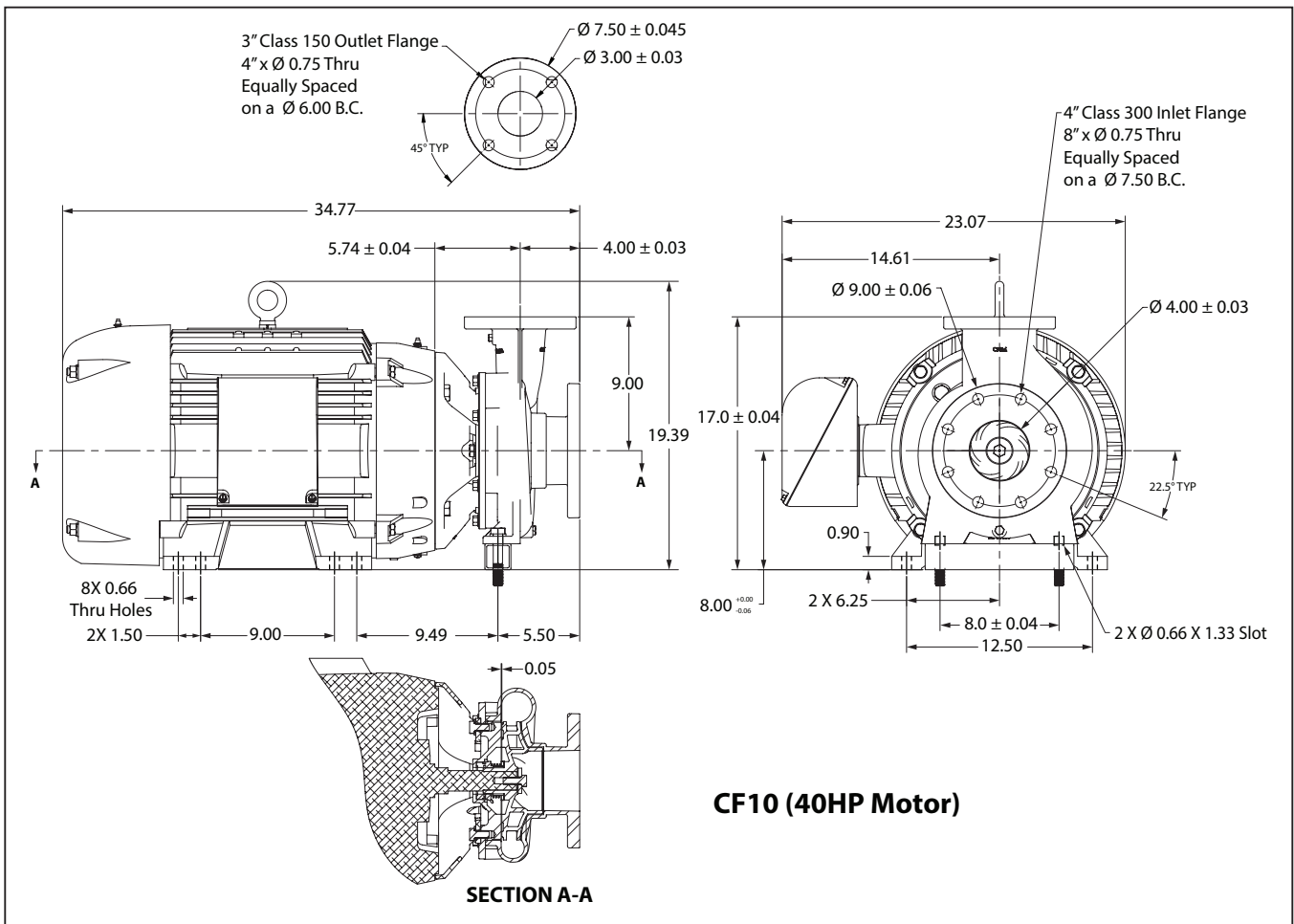
ChemFlo® 10 pumps utilize a semi-open impeller design to allow for passage of larger solid sizes and a totally enclosed impeller to meet high efficiency standards. Several seal options are available in addition to the standard type 2100 carbon / ceramic / Viton mechanical seal.



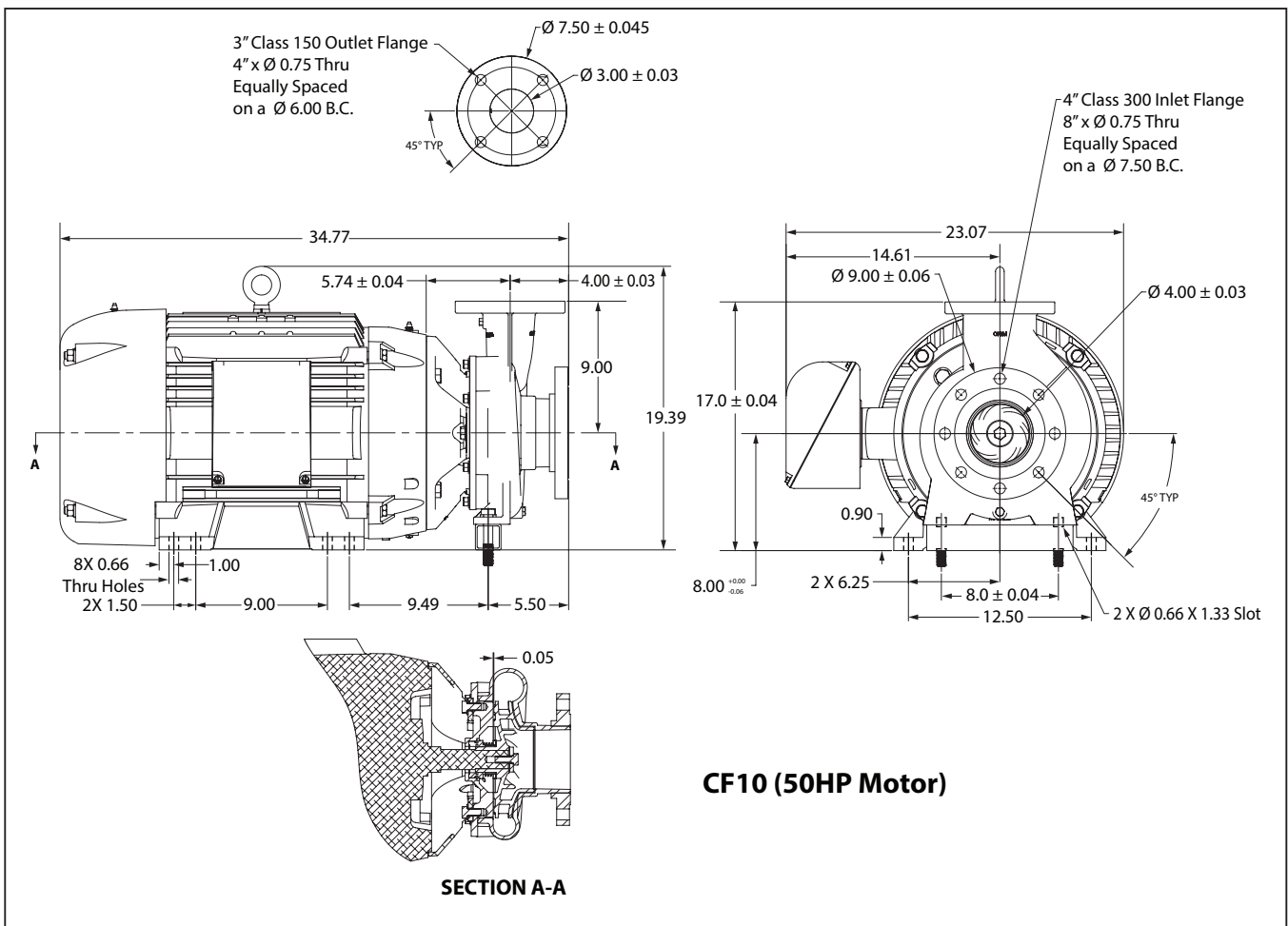
SPECIFICATIONS

Suction And Discharge	4" 300# ANSI x 3" 150# ANSI Flanges
Application	Agriculture, Commercial, Industrial, Marine, OEM
Materials of construction	316 stainless steel
Flow	Up to 650 GPM (148 m3/h)
Head Feet	Up to 260' (80m)
Impeller	8" Enclosed, Cast CF8m 316 Stainless Steel
Motor	Up to 50 HP (37.28 kw)
Drive Options	Close Coupled 324JM / 326JM PumPAK® (without motor)
Seal	Type 21, Carbon, Ceramic, Viton Standard
Drive Sleeve	Impeller threaded to motor
Options	Plan 11 seal flush

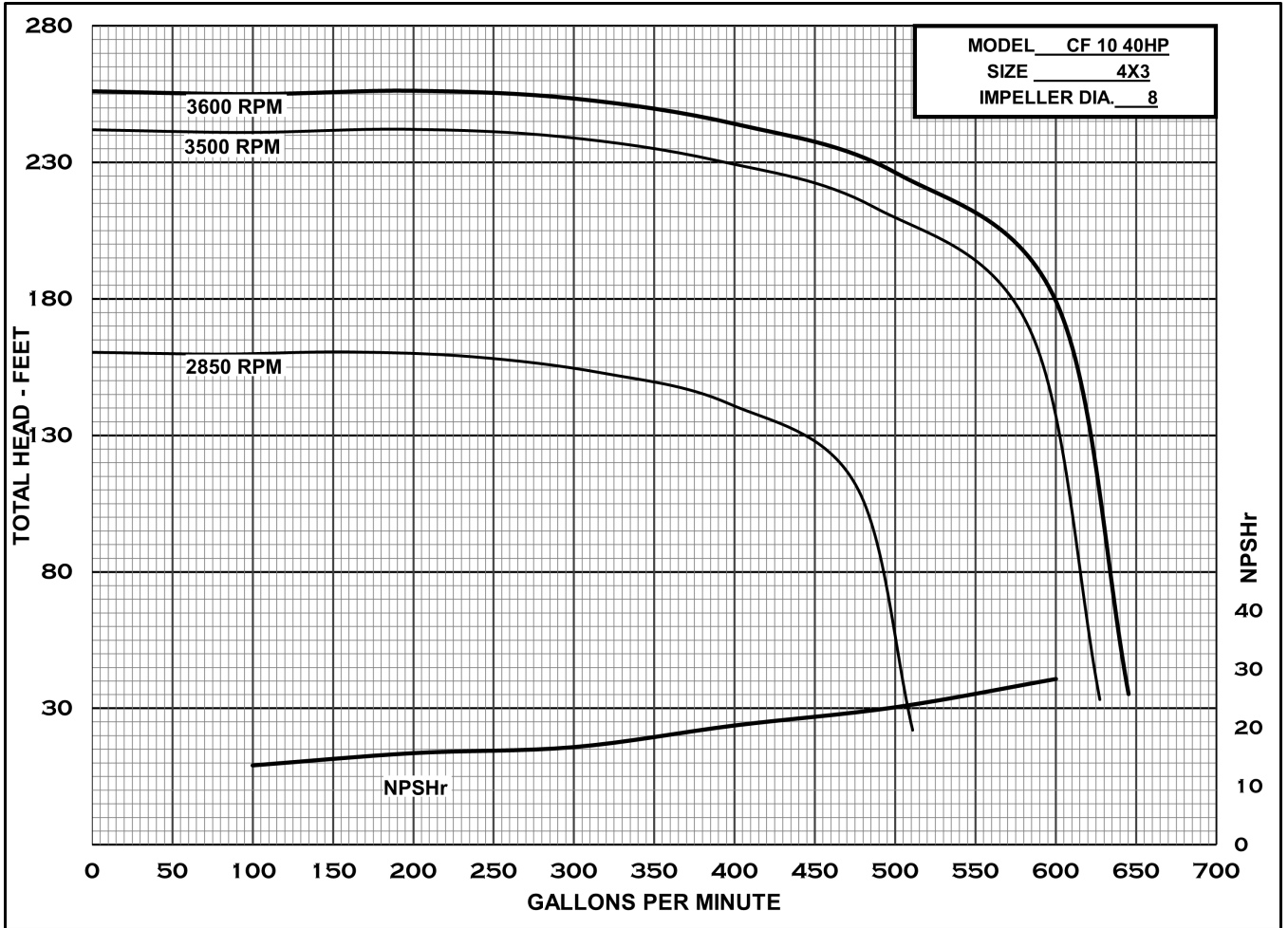
DIMENSIONAL DATA



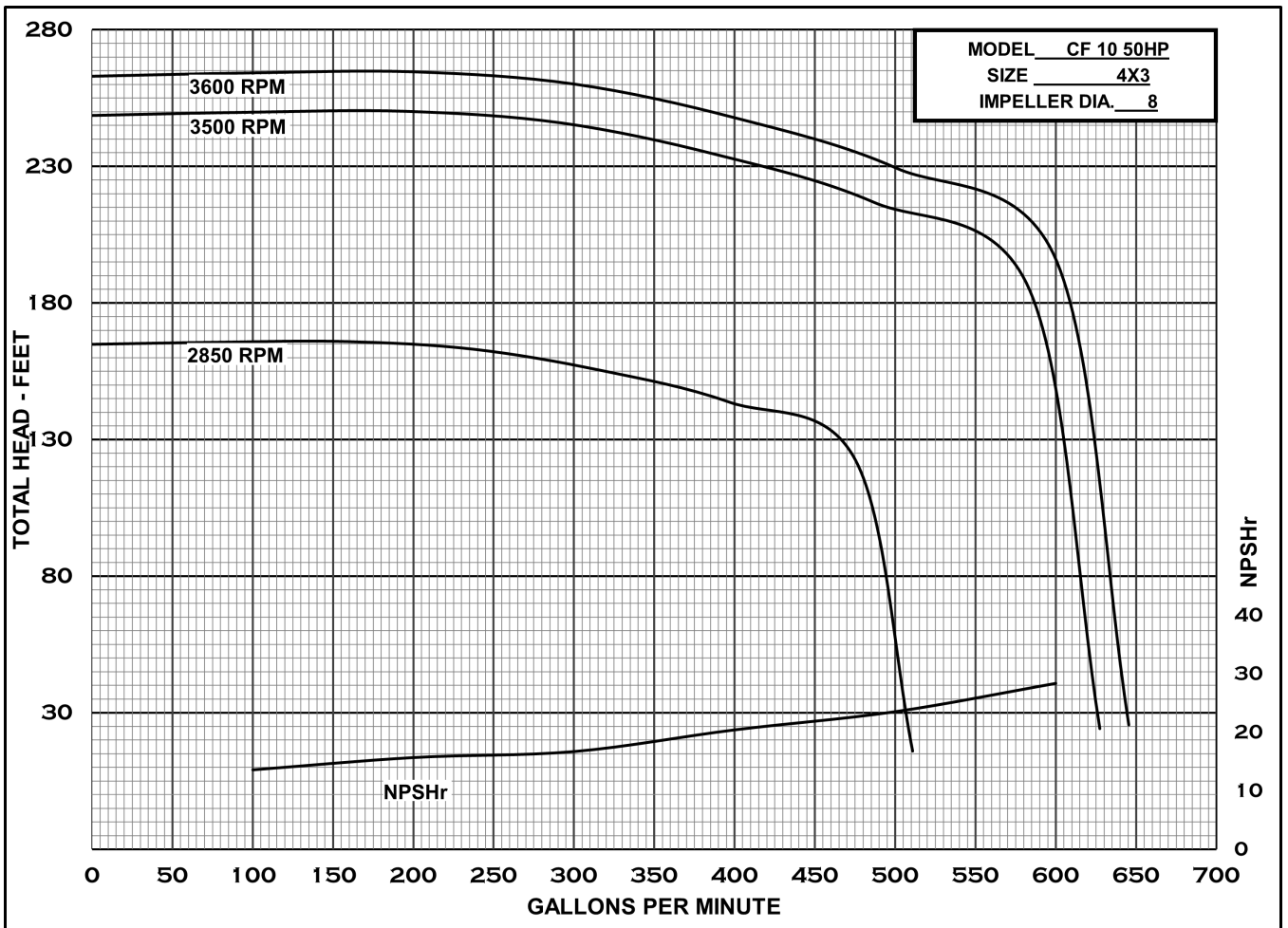
DIMENSIONAL DATA



PERFORMANCE CURVE



PERFORMANCE CURVE



34800 BENNETT - FRASER, MI 48026-1686
(586) 293-8240 - FAX (586) 293-8469
(800) 563-8006 - www.mppumps.com

